

TD 500 TRANSACTION DRAWER



The TD-500 transaction drawer combines a large payload capacity in a small footprint. Just 16" wide x 10.5" high, the TD-500 makes replacing old worn out drawers easy. The drop front design provides good visibility to the contents and the reach can be adjusted from 9.5" to 18" from the wall. Optional stainless or painted fascias can cover larger openings and provide speaker and microphone for audio applications. The lightweight 80 lbs makes it easy to install.



Front View
No Fascia

PART #	DESCRIPTION	WEIGHT (LBS)
TD-500	TD-500 Transaction Drawer includes; <ul style="list-style-type: none"> • Motorized drawer • Industrial style rails • Stainless mounting side brackets 	80
HTR-6	400 Watt Heater Kit – 4" x 4" forced air with bracket, harness & on-off switch	5 lbs
TD-500-B	Black fascia with speaker & microphone	5 lbs
TD-500-S	Stainless fascia with speaker & microphone	8 lbs



Back View



Front View - Black Fascia

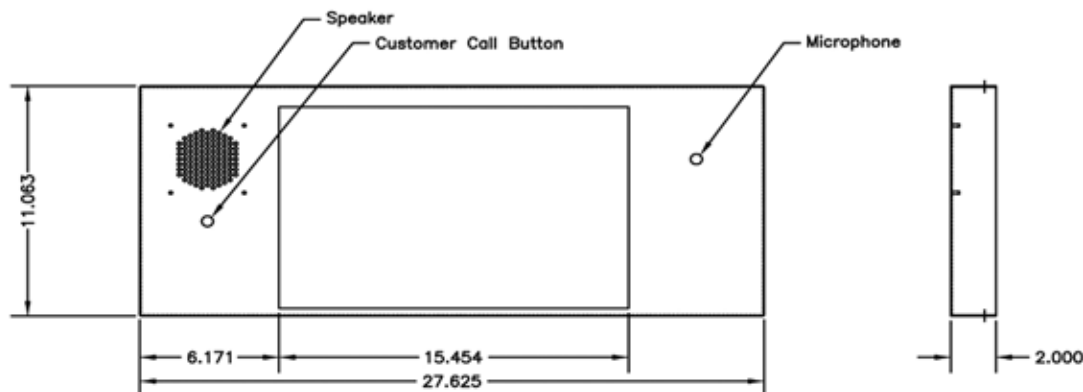


Front View - Stainless Front

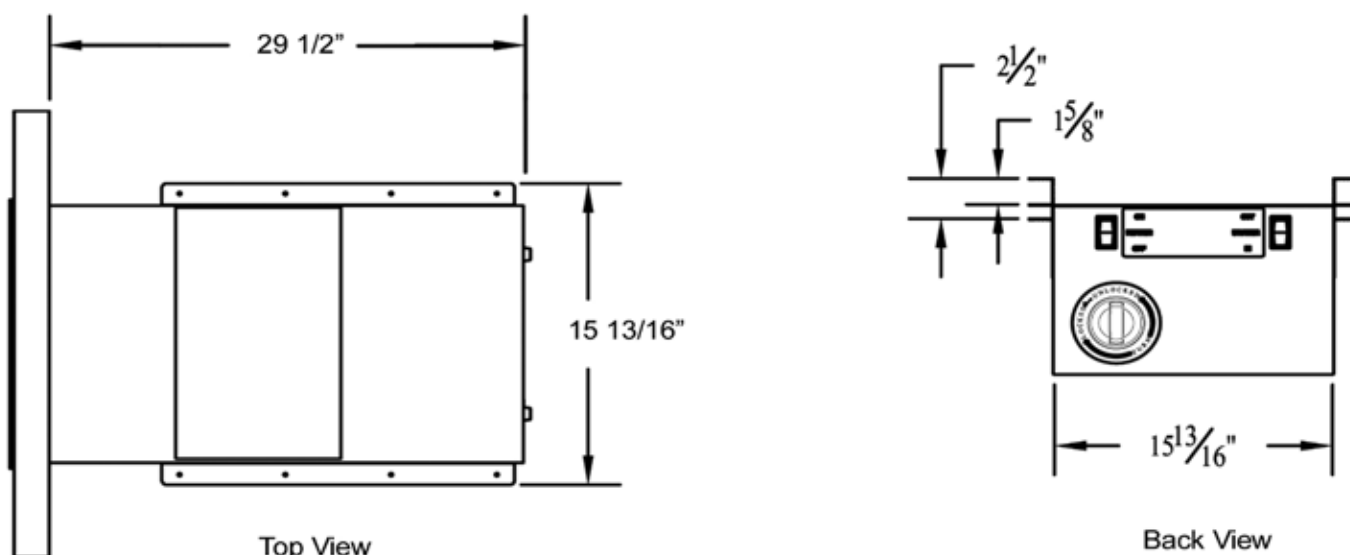


Front View Open

TD 500 DIMENSIONS

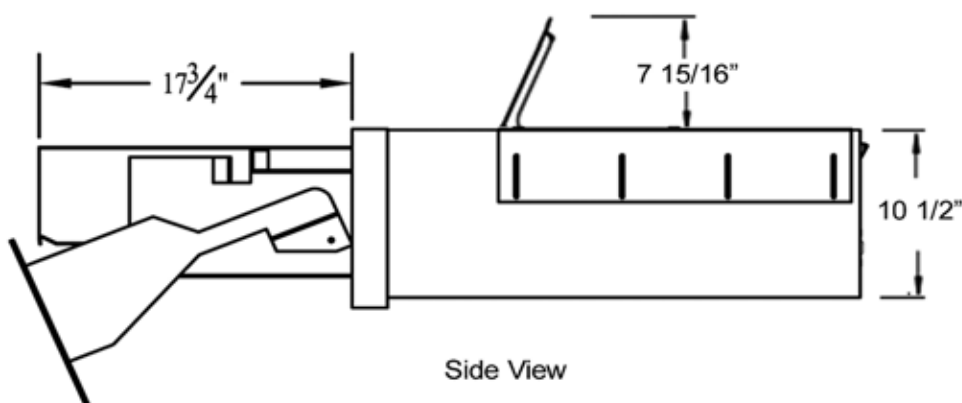


Front View - Facia



Top View

Back View



Side View